

Article 6 of the Paris Agreement

Tracking

UNFCCC secretariat, 2023



- The meaning and purpose of tracking
- Evolution of the guidance and the RMPs in relation to tracking
- Further work on tracking

What does 'tracking' in Article 6 mean?

Tracking (*para 29*) refers to:

- **The recording of information** on:

- Authorization
- First transfer
- Transfer
- Acquisition
- Use towards NDCs
- Authorization for use towards OIMP
- Voluntary cancellation (including for OMGE, if applicable)

But also:

- Cancellation (*para 20, para 32(g), annex, 7/CMA.4*)
- Retirement (*para 32(f), annex, 7/CMA.4*)
- Holdings (*para 20*)

- **In a registry**, a Party has or has access to (*para 29*), that:

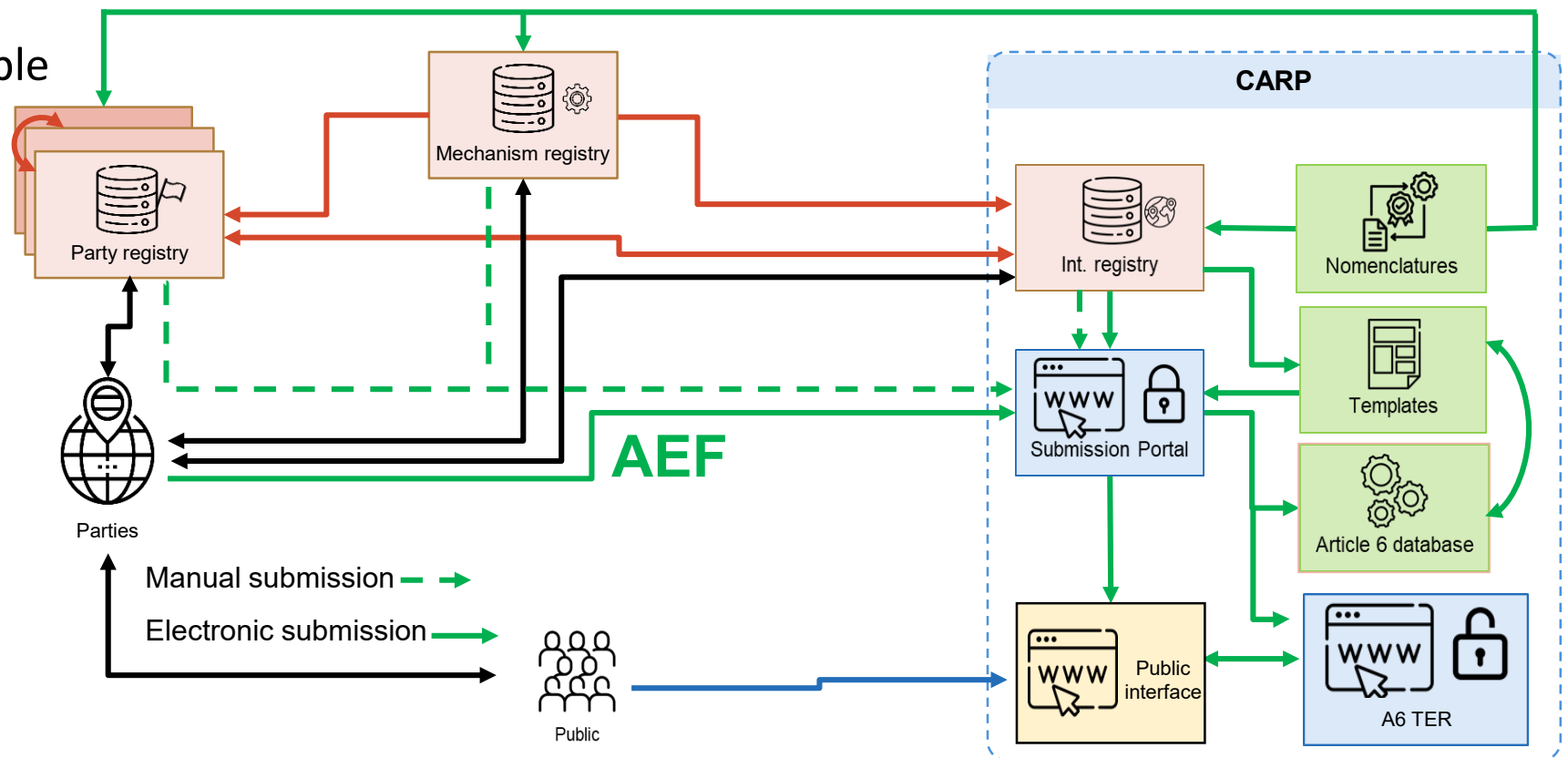
- Has accounts as necessary, and records the information on ITMOs:
 - Through unique identifiers, as applicable (*para 29 and para 5, an. 1, 6/CMA.4*)
 - Consistently with the annual information submitted in the AEF (*para 1(e), an. 1, 6/CMA.4*)

Tracking arrangements are based on **software** and registries could be interoperable

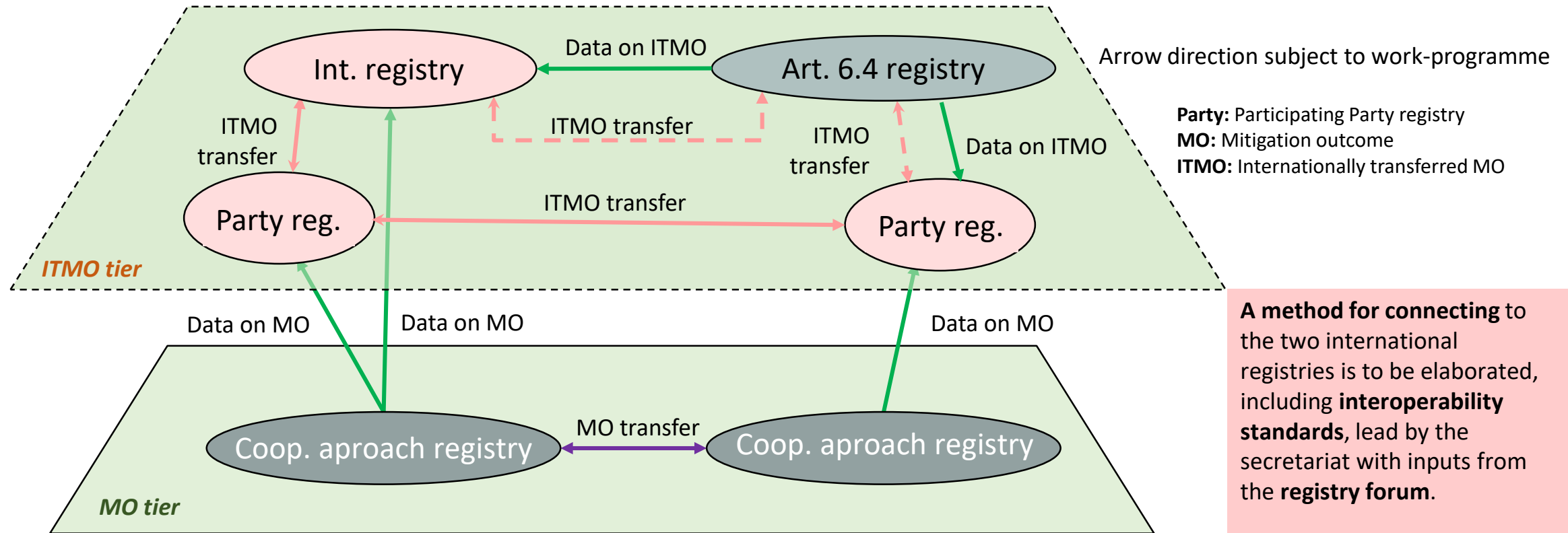


What is the purpose of tracking ITMOs through registries?

- Achieving data integrity in tracking and recording ITMOs
- Enabling reporting consistent with the agreed electronic format (AEF)
- Providing access to the Party and/or other entities for which access is authorized by the Party in order to:
 - Keep record of their ITMOs
 - Fulfil trades, as applicable



Registries two-tier architecture



Party: Participating Party registry
MO: Mitigation outcome
ITMO: Internationally transferred MO

A method for connecting to the two international registries is to be elaborated, including interoperability standards, lead by the secretariat with inputs from the registry forum.

The two international registries are envisaged to implement a data communication protocol and a reconciliation mechanism akin to a transaction log service to support linking.

Underlying MOs are linked to ITMOs in a permanent one-to one relationship.

Data consistency requirements dictate that an MO/ITMO can be transferred at one level (tier) but not at both levels!



Work-programme on tracking

Elements	Work-programme	Mandates to the secretariat
Article 6.2 International registry	<ul style="list-style-type: none"> • Business model – accounts and additional functionalities and procedures for: <ul style="list-style-type: none"> • Transfer of A64ERs • Services for cooperative approaches if voluntarily requested by Parties • The role of the int. reg. administrator • The submission of information by Parties as the basis for tracking ITMOs 	<ul style="list-style-type: none"> • Publish requirements for comments • Software development, including an interim solutions • Process and procedures
Article 6.4 Mechanism registry	<ul style="list-style-type: none"> • Connection to the international registry • Connection to other registries as per para 29 	<ul style="list-style-type: none"> • Business model • Process and procedures • Software development
Registries and interoperability		<ul style="list-style-type: none"> • Standards and recommended practices for electronic recording of ITMO data and communication standards for interoperability • A6 registry forum + an online platform

